

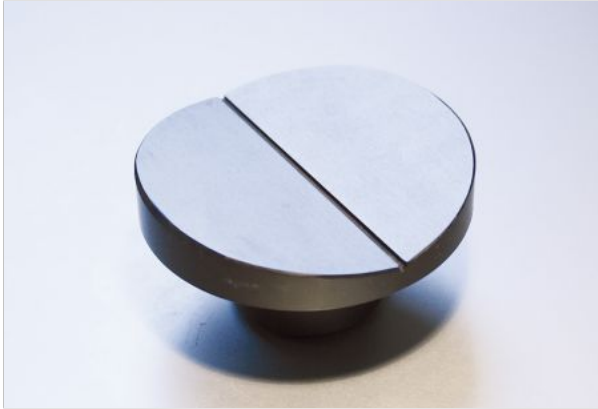


N4

Accessories

EMED-TEST
WISSEN IST SICHERHEIT.

V-Anvil NTV010



V-Anvil
for N4A / N4B / N4C
für work pieces Ø 20 - 250 mm

Vickers NDV28007Z



Vickers penetrator
with MPA - certificate
length: 28 mm
Ø 6.5 mm
(for \geq HV 5)

Vickers NDV28004Z



Vickers penetrator
with MPA - certificate
length: 28 mm
Ø 3.8 mm
(for \geq HV 5)

Vickers NDV14010Z



Vickers penetrator
with MPA - certificate
length: 14 mm
Ø 8 mm
(for nose cone N1PK01)

Vickers NDV14010U



Vickers penetrator
length: 14 mm
Ø 8 mm
(for nose cone N1PK01)

Brinell **NKW28E02Z**



Ball holder
with MPA - certificate
2.5 mm ball pressed-in
length: 28 mm
Ø 6.5 mm

Brinell **NKW28A02Z**



Ball holder
with MPA - certificate
2,5 mm ball exchangeable
length: 28 mm
Ø 7 mm

Rockwell NDR28007Z



Rockwell penetrator
with MPA - certificate
Length: 28 mm
Ø 6.5 mm

Rockwell NKW28E16Z



Ball holder
with MPA - certificate
1/16" mm ball pressed-in
length: 28 mm
Ø 6.5 mm

Rockwell NDR14010Z



Rockwell penetrator
with MPA - certificate
Length: 14 mm
Ø 8 mm

Rockwell NDR14010U



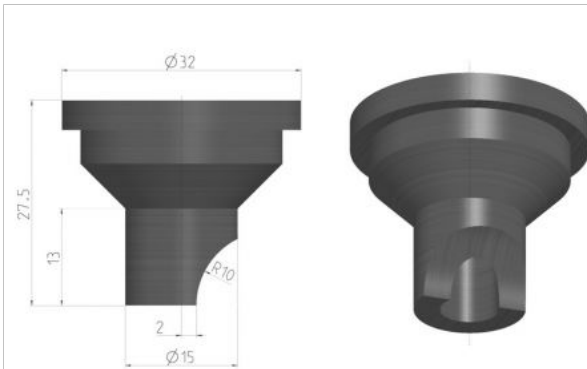
Rockwell penetrator
to nose cone N1PK01
Length: 14 mm
Ø 8 mm

Nose cone N1PK01



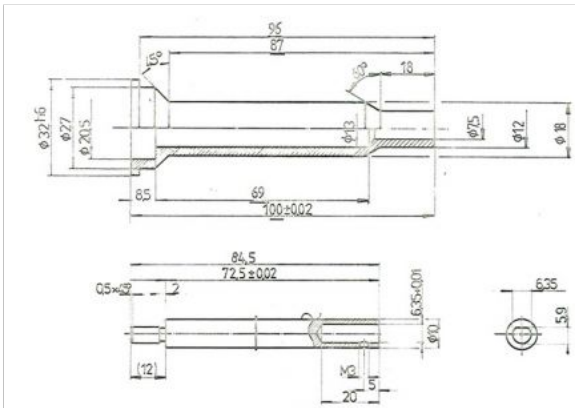
Nose cone
 support dia. 19.5 mm
 drilling: 12 mm
 length: 13.5 mm

Nose cone standard N1PK07



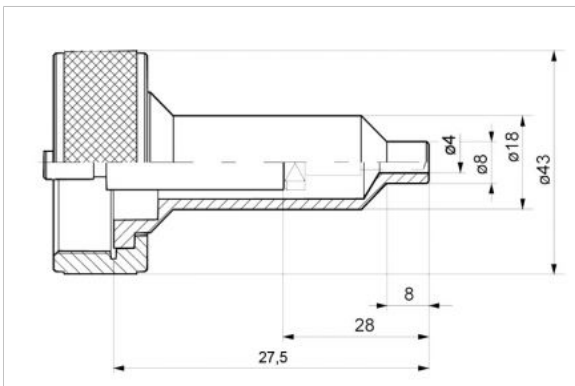
Nose cone standard
 support dia. 15 mm
 drilling: 8 mm
 length: 27.5 mm

Nose cone N1PK09



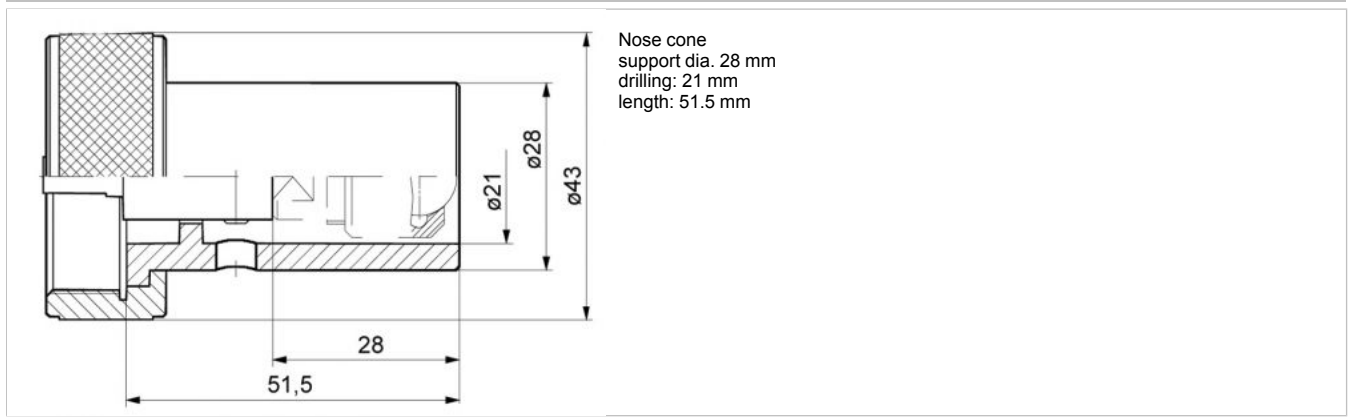
Nose cone
 support dia. 12 mm
 drilling: 7 mm
 length: 100 mm
 inclusive penetrator elongation

Nose cone N1PK10



Nose cone
 support dia. 8 mm
 drilling: 5 mm
 length: 27.5 mm

Nose cone N1PK17



Test block Brinell NB062100Z



Test block HB 2.5/62.5
Hardness value approx. 100
with MPA certificate

Test block Brinell NB062150Z



Test block HB 2.5/62.5
Hardness value approx. 150
with MPA certificate

Test block Brinell NB062200Z



Test block HB 2.5/62.5
Hardness value approx. 200
with MPA certificate

Test unit for spring sleeves N2 N1A001

Test unit for N3/N4 in connection with N2 spring sleeves with loads 15 - 187.5 kgf selectable
Rockwell, Brinell- and Vickers test method (depth difference measurement)

inclusive standard nose cone N1P K07
without Dial gauge NMU000

Spring sleeve N2H001

for test unit N1A 001
test load 147 N (15 kgf)

Spring sleeve N2C001

for test unit N1A 001
test load 294 N (30 kgf)

Spring sleeve N2G001

for test unit N1A 001
test load 306.5 N (31.25 kgf)

Spring sleeve N2L001



for test unit N1A 001
test load 441.5 N (45 kgf)

Spring sleeve N2E001



for test unit N1A 001
test load 588.6 N (60 kgf)

Spring sleeve N2B001



for test unit N1A 001
test load 613 N (62.5 kgf)

Spring sleeve N2F001



for test unit N1A 001
test load 981 N (100 kgf)

Spring sleeve N2A001



for test unit N1A 001
test load 1471.5 N (150 kgf)

Spring sleeve N2D001



for test unit N1A 001
test load 1839.4 N (187.5 kgf)

Adjustable test unit N1S000

SYMBOL

for Rockwell testing HRN and HRT (DIN EN ISO 6508)
test loads 147 / 294 / 441.5 N (15 / 30 / 45 kgf)
incl. standard nose cone N1PK07
(reduction of test height by 55 mm)

Adjustable test unit N1R000

SYMBOL

for Rockwell testing (DIN EN ISO 2039-1)
test loads 588.6 / 981 / 1471.5 N (60 / 100 / 150 kgf)
incl. standard nose cone N1PK07
(reduction of test height by 55 mm)

Adjustable test unit N1P000

SYMBOL

for plastics (DIN EN ISO 2039-1)
test loads 49 / 132.4 / 358 / 961.4 N (5 / 13.5 / 36.5 / 98 kgf)
incl. standard nose cone N1PK07
(reduction of test height by 55 mm)

Dial gauge standard NMU000



for N1 test units

Dial gauge 1/100 NMP000



for N1P test units