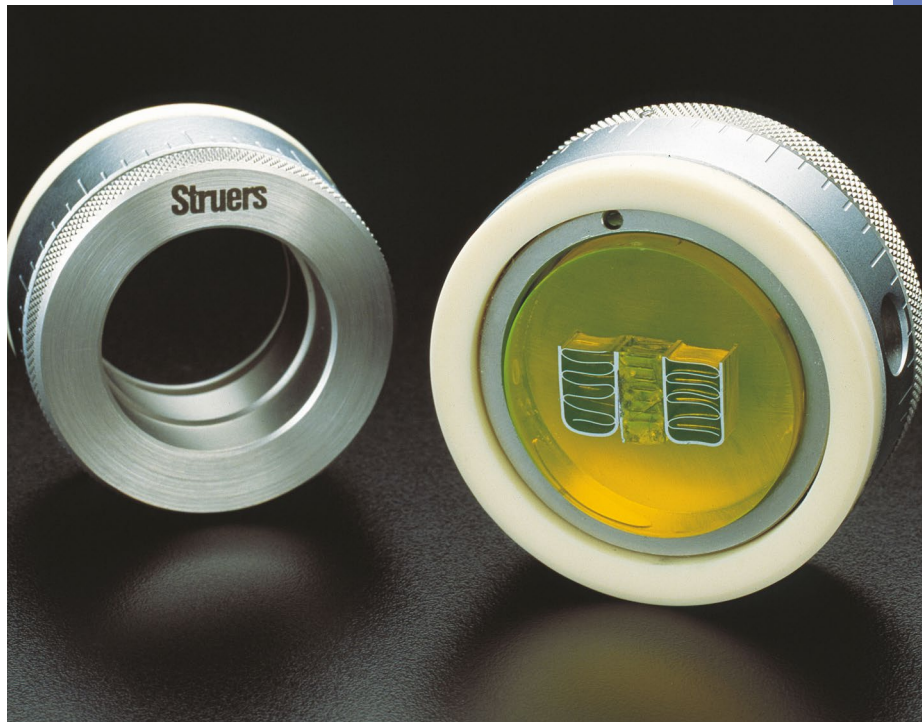
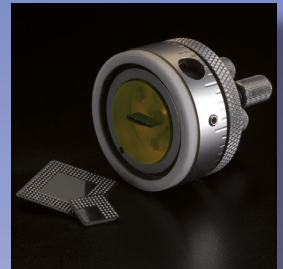


# AccuStop



**AccuStop  
specimen holders  
for controlled material  
removal and target  
preparation**

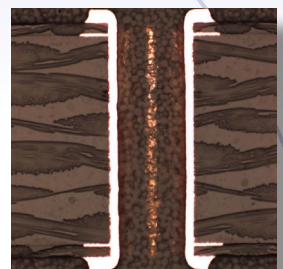


## **AccuStop Specimen Holders**

- Controlled material removal
- Improved reproducibility
- Adjustable polishing depth
- Absolute planeness during manual grinding
- Preparation of electronic components
- Available for 30 mm and 40 mm dia. specimens
- Large selection of inserts for special applications

## **AccuStop-T**

- Tilttable AccuStop for 30 mm dia. specimens
- Tilt angle  $\pm 2$  degrees in any direction
- Reach multiple targets simultaneously



# Introducing Struers AccuStop

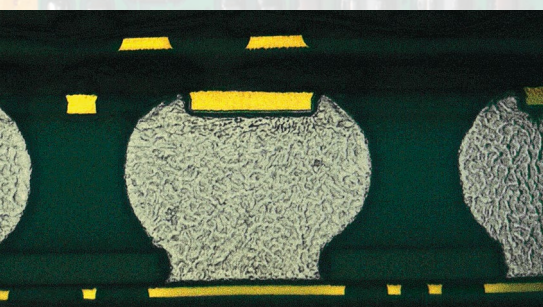
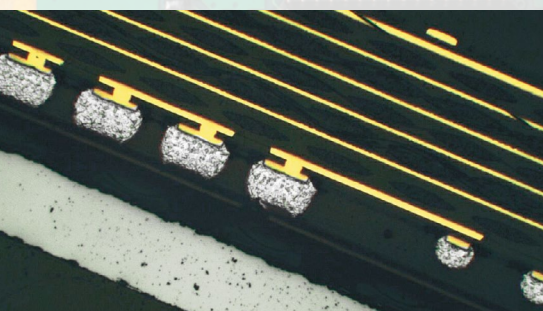
**AccuStop** is a line of specimen holders that are ideal for controlled manual grinding on SiC paper and for the high demands of accuracy and precision necessary in target preparation.

## The AccuStop Holders

All the AccuStop holders are based on a system where the mounted specimen is clamped in the holder by means of a screw or a rubber gasket.

Around the outside of the holder there is an adjustment ring with a wear-resistant ceramic base. The holder can be relocated in relation to the adjusting ring so that grinding will stop at a preset depth in the specimen, i.e. when the ceramic base makes contact with the grinding paper, preventing further removal of material.

The ceramic base also ensures that the specimen surface is kept totally plane - a common problem when grinding manually.



## Applications

With a reproducibility of 20 microns, AccuStop is ideal for grinding down to well-defined depths in microelectronic components in order to check soldered joints and connections.

In target preparation, several points can be reached at the same time, e.g. rows of solder balls and PCB vias.

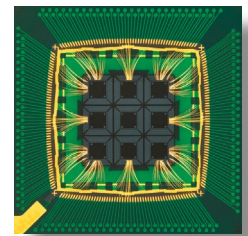
Other possible applications include step-grinding for hardness testing and removal of non-representative surfaces; and successive grinding to follow certain features, e.g. crack paths in failure investigations, or to check the homogeneity of the material structure.

**AccuStop** is an indispensable tool for ensuring absolute planeness during manual grinding.

## Specimen size

AccuStop is available in two sizes: AccuStop 40 with a capacity up to 40 mm dia. and AccuStop 30 and AccuStop-T which can be used for specimens up to 30 mm dia. In the standard form, Accu-Stop can be used for both cylindrical mounts and for quick fixation of specimens mounted with a flange, e.g. Flangeform. Generally, AccuStop is suitable for mounted and unmounted specimens of different shapes and sizes which can be clamped using the large selection of inserts (see reverse).

Two different O-rings are provided for use with either type of form.



## Automatic Preparation

Specimens fixed in AccuStop can be ground automatically in Tegramin using the specimen mover plate 05256904 or 04796916 (photo on reverse). With this, 1 to 3 specimens can be automatically ground to a precise position. For further information on Tegramin please see separate brochure on the Tegramin.

*With the 04386901 insert plane-parallelism of  $\pm 5 \mu\text{m}$  can be achieved*



*AccuStop is available for both 30 mm and 40 mm dia. samples*



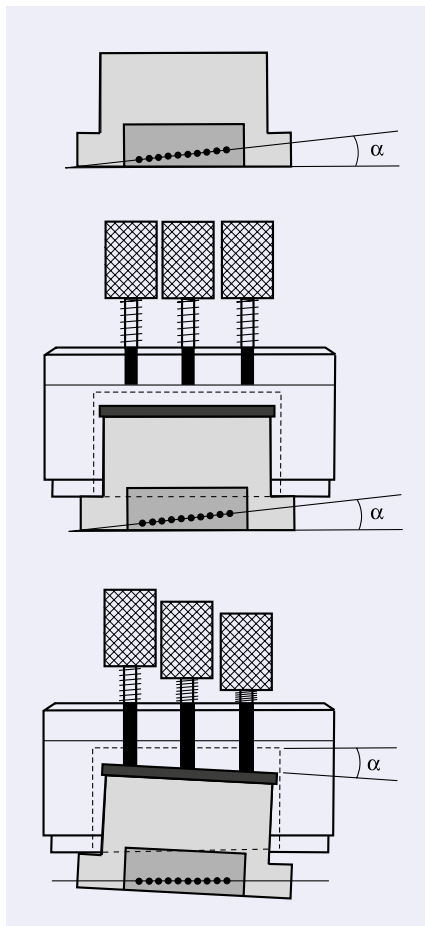
# Target Preparation

## Target Preparation

AccuStop-T is designed specifically for target preparation in the micro-electronic industry.

The unique tilt feature of AccuStop-T allows several points in a specimen target plane to be reached at the same time, e.g. rows of solder balls and PCB vias. The AccuStop-T specimen holder has the ability to tilt the specimen  $\pm 2$  degrees in any direction.

Two different O-rings are provided for use with either Struers' Flan-geform or a 30 mm mould like Seriform.



## AccuMeter and AccuStop-T

The AccuMeter Measuring Station was developed especially for use with AccuStop-T. AccuMeter provides easy measurement of the tilt angle and has a micrometer measuring range is 0-25 mm in steps of 10  $\mu$ m.

## AccuStop-T used as AccuStop

AccuStop-T may be used as an ordinary AccuStop by removing the three adjustment screws. This reduce the height of AccuStop-T, permitting semi-automatic polishing with a Tegramin, using a 04796916 specimen mover plate.

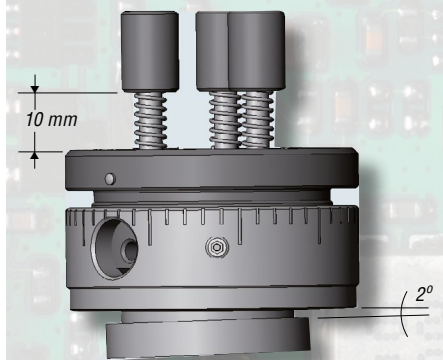
## A useful tool for recovering target distance

Also when using AccuStop 30 the AccuMeter can come in handy. Have you ever tried to 'lose' your target distance? By using the AccuMeter measuring station, the distance from the specimen to the ceramic ring can be determined accurately, so you do not have to start all over.



## AccuStop-T - Specifications

- Specimen holder for 30 mm specimens
- Tilt area  $\pm 2$  degrees
- 1 turn of adjustment screws = 0.5 mm
- 1 turn of specimen cylinder = 1 mm in 20  $\mu$ m steps



Multiple targets are aligned by placing AccuStop-T on the AccuMeter measuring station



## Special Inserts

The inserts for special applications can be mounted directly in AccuStop 30 and AccuStop-T.

**04386907** is intended to adapt AccuStop 40 to 30 mm dia. specimens. It can be used directly for mounting of 30 mm dia. specimens or to prepare AccuStop 40 for the complete range of AccuStop inserts.

**04386901** is an insert for plane-parallel grinding of flat specimens. With this insert it is possible to obtain plane-parallelism of  $\pm 5 \mu\text{m}$ . Furthermore, this insert is especially well-suited for the thinning of Si-wafers down to a thickness of 100  $\mu\text{m}$ .

**04386902** is an insert to allow the preparation of specimens with a diameter of 25 mm/1", mounted or unmounted.

**04386903** is intended for three kinds of preparation:  
- Specimens with a diameter of 20 mm, mounted or unmounted.  
- Oblong, round or long flat specimens of small size, unmounted.  
- Taper sections with magnifications x 3 and x 5 without mounting.  
This insert acts as a specimen holder for polishing and provides far better edge retention when preparing unmounted specimens.

**04386904** is intended for pre-thinning of specimens with a diameter of 3 mm in preparation for electrolytic thinning in Tenupol.

## Technical Data

### AccuStop 40 / AccuStop 30

Positioning range: 13 mm  
Scale divisions: 0.02 mm  
Diameter: 61 / 51 mm  
Max. height: 35 mm  
Weight: 300 / 240 g

### AccuStop-T

Positioning range: 13 mm  
Scale divisions: 0.02 mm  
Tilt area  $\pm 2$  degrees  
Diameter: 51 mm  
Max. height: 35 mm  
Weight: 320 g

### AccuMeter

Measuring range: 0-25 mm in steps of 10  $\mu\text{m}$

## Specification

### AccuStop 40

Specimen holder for accurate removal of material by manual grinding. For specimens 38-40 mm dia. Insert (04386907) can be mounted

### AccuStop 30

Specimen holder for accurate removal of material by manual grinding. For specimens 28-30 mm dia. Inserts (04386901), (04386902), (04386903) and (04386904) can be mounted

### AccuStop-T

Tiltable specimen holder for accurate material removal by manual grinding. For mounted specimens 28-30 mm dia. Inserts (04386901), (04386902), (04386903) and (04386904) can be mounted

### Insert for AccuStop 40

For grinding of cylindrical specimens with a dia. of 30 mm or for adaption of inserts (04386901), (04386902), (04386903) and (04386904)

### Insert for AccuStop 30/40/-T

For plane parallel grinding of flat specimens  
For grinding of cylindrical specimens with a dia. of 25 mm / 1"  
For grinding of:  
- Specimens 20 mm dia., mounted or unmounted  
- Long cylindrical or long flat specimens  
- Taper sections without mounting, magnifications x 3 and x 5  
For pre-thinning of specimens 3 mm dia. For electrolytic thinning on Tenupol

### Locating Pins for AccuStop 40

ViaKit positioning pins. For mounting of PCB-coupons. 500 pcs. 2 mm dia., length 43 mm 40300057

### Flangeform

Mounting cups with flange, 40 mm dia. For AccuStop 40. Set of 3 40300014  
Mounting cups with flange, 30 mm dia. For AccuStop 30/-T. Set of 3 40300012

### Specimen mover plate, 4 mm. For Accustop 40

For grinding of 3 specimens with AccuStop 40 using Tegramin-30. 3 pressure plates for AccuStop 40 are included. Coupling (06086901) and AccuStop 40 (04386102) are ordered separately. 06086938

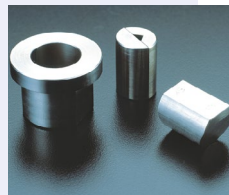
### Specimen mover plate, 4 mm. For AccuStop 30

For grinding of 3 specimens with AccuStop 30 using Tegramin-30. 3 pressure plates for AccuStop 30 are included. Coupling (06086901) and AccuStop 30 (04386101) are ordered separately. 06086937

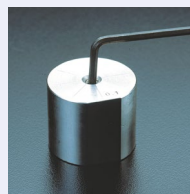
For grinding of 3 specimens with AccuStop 30 using Tegramin-25. 3 pressure plates for AccuStop 30 are included. Coupling (06086901) and AccuStop 30 (04386101) are ordered separately. 06086907



04386901



04386903



04386904



06086907 / 37 / 38

### Cat. no.

04386102

04386101

04386301

04386907

04386901

04386902

04386903

04386904

40300057

40300014

40300012

06086938

06086937

06086907

 **Struers**

[www.struers.com](http://www.struers.com)

 **МЕЛИТЭК**  
Материалогграфия Аналитика Испытания

117342, Москва,  
ул. Обручева, д. 34/63, стр. 2  
Тел./факс: +7 (495) 781-07-85  
[info@melytec.ru](mailto:info@melytec.ru)

192012, Санкт-Петербург, ул.  
Бабушкина, д. 3,  
лит. А, оф. 615  
Тел./факс: +7 (812) 380-84-85  
[infospb@melytec.ru](mailto:infospb@melytec.ru)

620075, Екатеринбург,  
ул. Тургенева, д. 18, оф. 701  
Тел./факс: +7 (343) 287-12-85  
[infofour@melytec.ru](mailto:infofour@melytec.ru)

03067, Киев, б-р Лепсе, д.  
4, корп. 1, оф. 308 Тел.:  
+38 (044) 454-05-90 Факс:  
+38 (044) 454-05-95  
[infofour@melytec.ru](mailto:infofour@melytec.ru)

[www.melytec.ru](http://www.melytec.ru)

